

PLEASE CHECK WWW.MOLEX.COM FOR LATEST PART INFORMATION

Part Number: **0428920086**
Status: **Active**
Description: 3.96mm (.156") Pitch KK® Solid Header, Right Angle, Friction Lock, with Snap-in Plastic Peg PCB Lock, 8 Circuits, 0.38µm (15µ") Gold (Au) Selective Plating

Documents:

[3D Model](#) [Product Specification PS-08-50 \(PDF\)](#)
[Drawing \(PDF\)](#) [RoHS Certificate of Compliance \(PDF\)](#)
[Packaging Specification \(PDF\)](#)

General

Product Family PCB Headers
Series 42892
Application Wire-to-Board
Product Name KK®

Physical

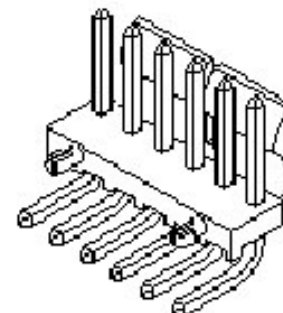
Breakaway No
Circuits (Loaded) 8
Circuits (maximum) 8
Durability (mating cycles max) 100
Flammability 94V-0
Glow-Wire Compliant No
Lock to Mating Part Yes
Material - Metal Brass
Material - Plating Mating Gold
Material - Plating Termination Tin
Number of Rows 1
Orientation Right Angle
PC Tail Length (in) 0.130 In
PC Tail Length (mm) 3.30 mm
PCB Locator Yes
PCB Retention Yes
PCB Thickness Recommended (in) 0.062 In
PCB Thickness Recommended (mm) 1.60 mm
Packaging Type Bag
Pitch - Mating Interface (in) 0.156 In
Pitch - Mating Interface (mm) 3.96 mm
Plating min: Mating (µin) 15
Plating min: Mating (µm) 0.38
Plating min: Termination (µin) 100
Plating min: Termination (µm) 2.5
Polarized to Mating Part Yes
Polarized to PCB Yes
Shrouded Partial
Stackable Yes
Temperature Range - Operating 0°C to +75°C
Termination Interface: Style Through Hole

Electrical

CSA LR19980
Current - Maximum 7A
UL E29179
Voltage - Maximum 250V

Material Info

Reference - Drawing Numbers



Series image - Reference only

EU RoHS

**ELV and RoHS
Compliant**

REACH SVHC

Contains SVHC: No

Halogen-Free

Status

Not Reviewed

China RoHS



**Need more information on product
environmental compliance?**

Email productcompliance@molex.com
Please visit the [Contact Us](#) section for any non-product compliance questions.

Duration at Max. 5
Process Temperature (seconds)
Lead-free Process Wave Capable (TH Capability only)
Max. Cycles at Max. 1
Process Temperature
Process Temperature 235 max. C

Search Parts in this Series

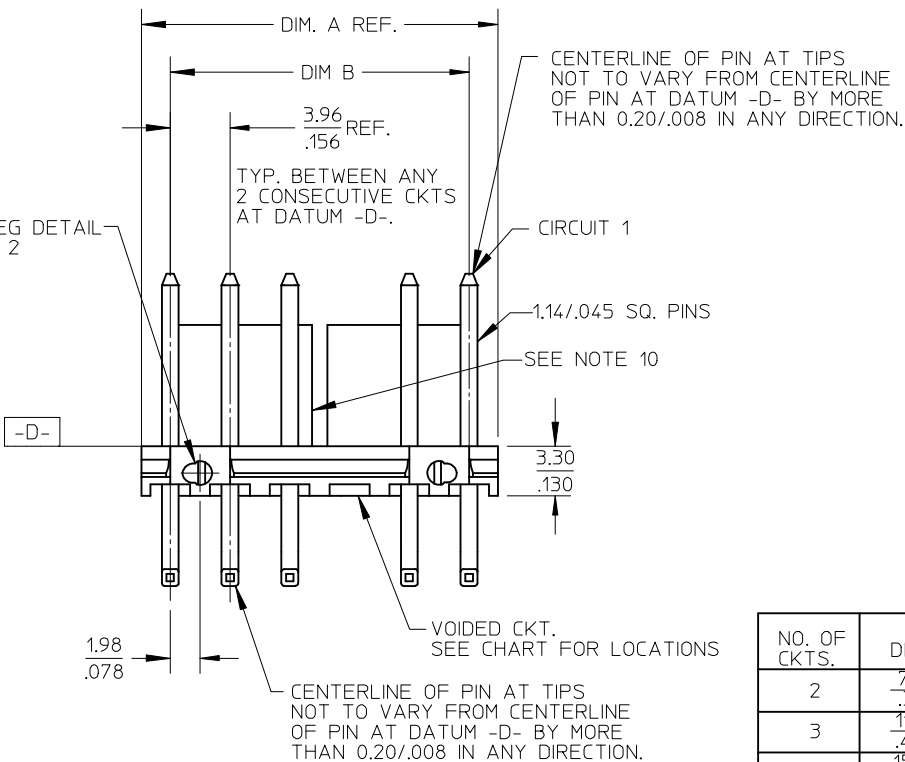
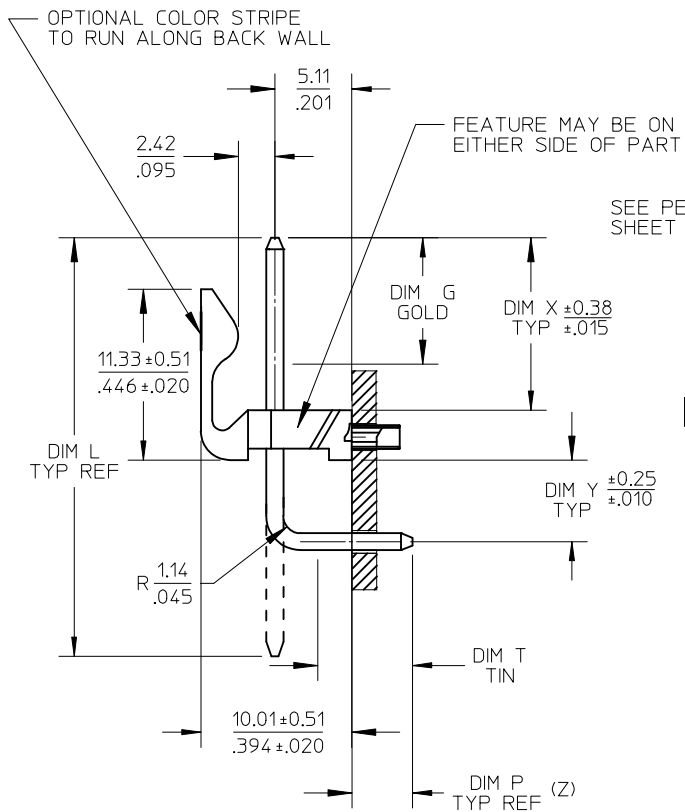
42892 Series

Mates With

[3069](#) , [2139](#) , [2145](#) , [6442](#) , [7674](#) , [7675](#) , [41695](#) , L ink:41815

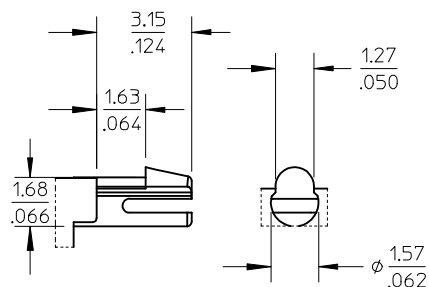
This document was generated on 11/05/2009

PLEASE CHECK WWW.MOLEX.COM FOR LATEST PART INFORMATION

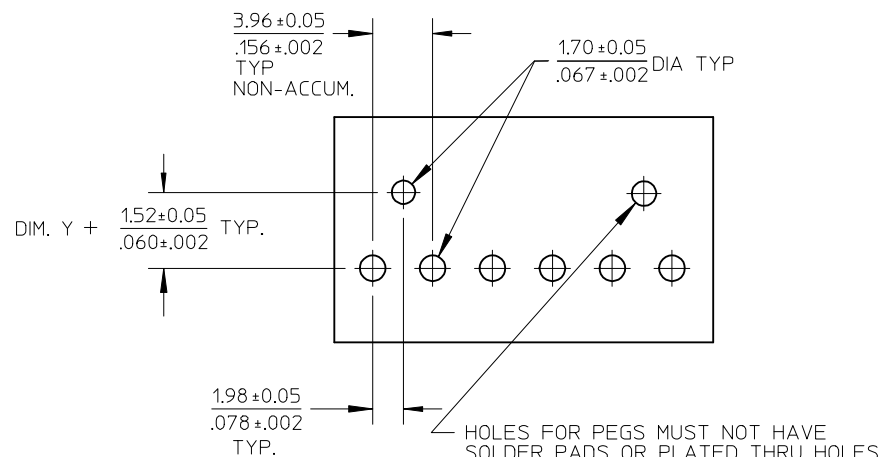


| NO. OF CKTS. | DIM. A | DIM. B | SLOT LOC BETWEEN CKTS |
|--------------|----------------|--------------------------|-----------------------|
| 2 | 7.77 .306 | 3.96±0.05 .156±.002 | NONE |
| 3 | 11.73 .462 | 7.92±0.08 .312±.003 | NONE |
| 4 | 15.70 .618 | 11.89±0.08 .468±.003 | NONE |
| 5 | 19.66 .774 | 15.85±0.10 .624±.004 | NONE |
| 6 | 23.62 .930 | 19.81±0.10 .780±.004 | 3 & 4 |
| 7 | 27.58 1.086 | 23.77±0.10 .936±.004 | 4 & 5 |
| 8 | 31.55 1.242 | 27.74±0.13 1.092±.005 | 4 & 5 |
| 9 | 35.51 1.398 | 31.70±0.13 1.248±.005 | 5 & 6 |
| 10 | 39.47 1.554 | 35.66±0.13 1.404±.005 | 5 & 6 |
| 11 | 43.43 1.710 | 39.62±0.15 1.560±.006 | 6 & 7 |
| 12 | 47.40 1.866 | 43.59±0.15 1.716±.006 | 4 & 5 8 & 9 |

| | | | | | | | | | | |
|--|-------------------------------|---------------------------------------|----------------------------------|---------------------------------|-------------------------|---|--|--|--|--|
| ADD SLOT EC NO: UCP2009-2603 DRWN:MK IPPER 2009/05/04 CHKD:SSOUSEK 2009/05/04 APPR:FSM TH 2009/05/04 | QUALITY SYMBOLS ▽=0 ▽=0 | GENERAL TOLERANCES (UNLESS SPECIFIED) | | DIMENSION STYLE MM/IN | | SCALE 2:1 | DESIGN UNITS INCH | THIRD ANGLE PROJECTION | | |
| | | | mm | INCH | DRAWN BY SCHAFFER | DATE 12-12-03 | TITLE FRICITION LOCK HDR. ASSY. .156 BENT SQ PINS W/PEGS RT. ANGLE MOUNT | | | |
| | | 4 PLACES | ± --- | ± --- | CHECKED BY SAMIEC | DATE 12-15-03 | | | | |
| | | 3 PLACES | ± --- | ± .010 | APPROVED BY MARGULIS | | DATE 12-19-03 | MOLEX MOLEX INCORPORATED DOCUMENT NO. SD-42892-001 SHEET NO. 1 OF 2 | | |
| 2 PLACES | ± 0.25 | ± .015 | MATERIAL NO. SEE CHART | | SIZE A | THIS DRAWING CONTAINS INFORMATION THAT IS PROPRIETARY TO MOLEX INCORPORATED AND SHOULD NOT BE USED WITHOUT WRITTEN PERMISSION | | | | |
| 1 PLACE | ± 0.38 | ± --- | ANGULAR ±1/2° | | | | | | | |
| DRAFT WHERE APPLICABLE MUST REMAIN WITHIN DIMENSIONS | | | | | | | | | | |



PEG DETAIL



RECOMMENDED PC BOARD HOLE LAYOUT:
COMPONENT SIDE FOR 1.57/.062 THICK PCB

FOR CORRECT ORIENTATION OF PARTS WITH
VOIDS, ELIMINATE CORRESPONDING PCB HOLE.

NOTES:

- MATERIAL: HEADER-GLASS FILLED POLYESTER, 94V-0, MOLDED NATURAL WHITE PINS: BRASS
- FINISHES: (102) OVERALL TIN: 0.00508/.000200 OVER 0.00254/.000100 COPPER
(208) SELECT GOLD: 0.00038/.000015
*SELECT TIN: 0.00254/.000100
OVERALL NICKEL UNDERPLATE: 0.00127/.000050
(228) SELECT GOLD: 0.00076/.000030
*SELECT TIN: 0.00254/.000100
OVERALL NICKEL UNDERPLATE: 0.00127/.000050
(501) OVERALL GOLD: 0.00051/.000020
OVERALL NICKEL UNDERPLATE: 0.00076/.000030
- PRODUCT SPECIFICATION: SEE PS-08-50.
- PACKAGING INFO: SEE TABLES
- SOLDERABILITY: PER SMES-152
- PIN PUSH OUT FORCE: PRIOR TO SOLDERING, A 3 LB MINIMUM FORCE (IN EITHER DIRECTION) SHALL BE REQUIRED TO PUSH THE PIN OUT OF THE HEADER.
- PARTS ARE STACKABLE END TO END ON (3.96)/.156 CENTERS.
- FOR PART WITHOUT PEGS SEE DWG. NO. SDA-41792.
- THIS PART CONFORMS TO CLASS B REQUIREMENTS OF COSMETIC SPECIFICATION PS-45499-002.
- SLOTS ON BACKWALL ARE BETWEEN CIRCUITS. SEE CHART FOR LOCATION.

| | | | | | | | | | | |
|---|--------------------|-----------------------------------|--|----------|--|----------|------------------|--------------|---|--|
| SEE SHEET 1 EC NO: UCP2009-2603 DRWN:MKIPPER 2009/05/01 CHKD:SSOUSEK 2009/05/04 APPR:FSM/TH 2009/05/04 G3 | DESCRIPTION REV | QUALITY SYMBOLS | GENERAL TOLERANCES (UNLESS SPECIFIED) | | DIMENSION STYLE | | SCALE | DESIGN UNITS | THIRD ANGLE PROJECTION | |
| | | $\nabla=0$ $\sphericalangle=0$ | mm | INCH | MM/IN | 2:1 | INCH | | | |
| | | 4 PLACES | ± --- | ± --- | DRAWN BY | DATE | TITLE | | MOLEX INCORPORATED DOCUMENT NO. SD-42892-001 | |
| | | 3 PLACES | ± --- | ± .010 | SCHAFFER | 12-12-03 | | | | |
| 2 PLACES | ± 0.25 | ± .015 | CHECKED BY | DATE | FRICITION LOCK HDR. ASSY. .156 BENT SQ PINS W/PEGS RT. ANGLE MOUNT | | SHEET NO. 2 OF 2 | | | |
| 1 PLACE | ± 0.38 | ± --- | SAMIEC | 12-15-03 | | | | | | |
| ANGULAR ±1/2° | | | DRAFT WHERE APPLICABLE MUST REMAIN WITHIN DIMENSIONS | | APPROVED BY | | DATE | | MATERIAL NO. | |
| | | | | | MARGULIS | | 12-19-03 | | SEE CHART | |
| THIS DRAWING CONTAINS INFORMATION THAT IS PROPRIETARY TO MOLEX INCORPORATED AND SHOULD NOT BE USED WITHOUT WRITTEN PERMISSION | | | | | | | | | | |

| OPTIONS | Group | A-42892-0002/0018 | Group | A-42892-0080/0096 | Group | A-42892-0097/0113 | Group | A-42892-0019/0035 |
|-------------|--------------|-------------------|--------------|-------------------|--------------|-------------------|--------------|-------------------|
| | Header No: | 41790-0070/0086 | Header No: | 41790-0070/0086 | Header No: | 41790-0070/0086 | Header No: | 41790-0070/0086 |
| | Pin No: | 2161-62(102) | Pin No: | 43294-0452 | Pin No: | 43290-0453 | Pin No: | 2161-62(501) |
| | Plating: | 102 | Plating: | 208 | Plating: | 228 | Plating: | 501 |
| | Pin Length L | 24.89/ .980 | Pin Length L | 24.89/ .980 | Pin Length L | 24.89/ .980 | Pin Length L | 24.89/ .980 |
| | Mating M | 11.43/ .450 | Mating M | 11.43/ .450 | Mating M | 11.43/ .450 | Mating M | 11.43/.450 |
| | Gold Loc G | N/A | Gold Loc G | 6.86/ .270 | Gold Loc G | 6.86/ .270 | Gold Loc G | OVERALL |
| | Dim. Y | 2.82/ .111 | Dim. Y | 2.82/ .111 | Dim. Y | 2.82/ .111 | Dim. Y | 2.82/ .111 |
| | PC Tail P | 3.30/ .130 | PC Tail P | 3.30/ .130 | PC Tail P | 3.30/ .130 | PC Tail P | 3.30/ .130 |
| | Tin Loc T | OVERALL | Tin Loc T | 4.06/ .160 | Tin Loc T | 4.06/ .160 | Tin Loc T | N/A |
| Voided Ckts | NONE | Voided Ckts | NONE | Voided CKts | NONE | Voided Ckts | NONE | |
| Pack Per | PK-42492-002 | Pack Per | PK-42492-002 | Pack Per | PK-42492-002 | Pack Per | PK-42492-002 | |
| Ckts | Material No | Engineer Number | Material No | Engineer Number | Material No | Engineer Number | Material No | Engineer Number |
| 2 | 26-60-7020 | A-42892-0002 | 42892-0080 | A-42892-0080 | 42892-0097 | A-42892-0097 | 26-60-7021 | A-42892-0019 |
| 3 | 26-60-7030 | A-42892-0003 | 42892-0081 | A-42892-0081 | 42892-0098 | A-42892-0098 | 26-60-7031 | A-42892-0020 |
| 4 | 26-60-7040 | A-42892-0004 | 42892-0082 | A-42892-0082 | 42892-0099 | A-42892-0099 | 26-60-7041 | A-42892-0021 |
| 5 | 26-60-7050 | A-42892-0005 | 42892-0083 | A-42892-0083 | 42892-0100 | A-42892-0100 | 26-60-7051 | A-42892-0022 |
| 6 | 26-60-7060 | A-42892-0006 | 42892-0084 | A-42892-0084 | 42892-0101 | A-42892-0101 | 26-60-7061 | A-42892-0023 |
| 7 | 26-60-7070 | A-42892-0007 | 42892-0085 | A-42892-0085 | 42892-0102 | A-42892-0102 | 26-60-7071 | A-42892-0024 |
| 8 | 26-60-7080 | A-42892-0008 | 42892-0086 | A-42892-0086 | 42892-0103 | A-42892-0103 | 26-60-7081 | A-42892-0025 |
| 9 | 26-60-7090 | A-42892-0009 | 42892-0087 | A-42892-0087 | 42892-0104 | A-42892-0104 | 26-60-7091 | A-42892-0026 |
| 10 | 26-60-7100 | A-42892-0010 | 42892-0088 | A-42892-0088 | 42892-0105 | A-42892-0105 | 26-60-7101 | A-42892-0027 |
| 11 | 26-60-7110 | A-42892-0011 | 42892-0089 | A-42892-0089 | 42892-0106 | A-42892-0106 | 26-60-7111 | A-42892-0028 |
| 12 | 26-60-7120 | A-42892-0012 | 42892-0090 | A-42892-0090 | 42892-0107 | A-42892-0107 | 26-60-7121 | A-42892-0029 |

| | | | |
|---|---|---|-------------------------------|
| REV: G2 | ECR/ECN INFORMATION | TITLE: FRICION LOCK HDR. ASSY. .156 BENT SQ PINS W/PEGS RT. ANGLE MOUNT | SHEET No. - 3 - |
| | EC NO: UCP2008-0727 DATE 10/8/2007 | | |
| DOCUMENT NUMBER: SD-42892-001 | CREATED / REVISED BY: ADERR | CHECKED BY: ADERR | APPROVED BY: FSMITH |

| | | | | | | | | |
|-------------|--------------|-------------------|--------------|-------------------|--------------|-------------------|--------------------|-------------------|
| OPTIONS | Group | A-42892-0036/0052 | Group | A-42892-0053/0067 | Group | A-42892-0068/0079 | Group | A-42892-0114/0118 |
| | Header No: | 41790-0070/0086 | Header No: | 41790-0070/0086 | Header No: | 41790-0070/0086 | Header No: | 41790-0070/0086 |
| | Pin No: | 2161-62(102) | Pin No: | 2161-62(102) | Pin No: | 2161-62(102) | Pin No: | 2161-62(102) |
| | Plating: | 102 | Plating: | 102 | Plating: | 102 | Plating: | 102 |
| | Pin Length L | 24.89/ .980 | Pin Length L | 24.89/ .980 | Pin Length L | 24.89/ .980 | Pin Length L | 24.89/ .980 |
| | Mating M | 11.43/ .450 | Mating M | 11.43/ .450 | Mating M | 11.43/ .450 | Mating M | 11.43/ .450 |
| | Gold Loc G | N/A | Gold Loc G | N/A | Gold Loc G | N/A | Gold Loc G | N/A |
| | Dim. Y | 2.82/ .111 | Dim. Y | 2.82/ .111 | Dim. Y | 2.82/ .111 | Dim. Y | 2.82/ .111 |
| | PC Tail P | 3.30/ .130 | PC Tail P | 3.30/ .130 | PC Tail P | 3.30/ .130 | PC Tail P | 3.30/ .130 |
| | Tin Loc T | OVERALL | Tin Loc T | OVERALL | Tin Loc T | OVERALL | Tin Loc T | OVERALL |
| Voided Ckts | 2 | Voided Ckts | 4 | Voided CKts | 7 | Voided Ckts | 2, 4, 6, 8, 10, 14 | |
| Pack Per | PK-42492-002 | Pack Per | PK-42492-002 | Pack Per | PK-42492-002 | Pack Per | PK-42492-002 | |
| Ckts | Material No | Engineer Number | Material No | Engineer Number | Material No | Engineer Number | Material No | Engineer Number |
| 2 | 26-62-7020 | A-42892-0036 | | | | | | |
| 3 | 26-62-7030 | A-42892-0037 | | | | | | |
| 4 | 26-62-7040 | A-42892-0038 | 26-62-7041 | A-42892-0053 | | | | |
| 5 | 26-62-7050 | A-42892-0039 | 26-62-7051 | A-42892-0054 | | | | |
| 6 | 26-62-7060 | A-42892-0040 | 26-62-7061 | A-42892-0055 | | | | |
| 7 | 26-62-7070 | A-42892-0041 | 26-62-7071 | A-42892-0056 | 26-62-7072 | A-42892-0068 | | |
| 8 | 26-62-7080 | A-42892-0042 | 26-62-7081 | A-42892-0057 | 26-62-7082 | A-42892-0069 | | |
| 9 | 26-62-7090 | A-42892-0043 | 26-62-7091 | A-42892-0058 | 26-62-7092 | A-42892-0070 | | |
| 10 | 26-62-7100 | A-42892-0044 | 26-62-7101 | A-42892-0059 | 26-62-7102 | A-42892-0071 | | |
| 11 | 26-62-7110 | A-42892-0045 | 26-62-7111 | A-42892-0060 | 26-62-7112 | A-42892-0072 | | |
| 12 | 26-62-7120 | A-42892-0046 | 26-62-7121 | A-42892-0061 | 26-62-7122 | A-42892-0073 | | |

| | | | | |
|-------------------------|----------------------------|------------------------------|---|--------------------|
| REV: | <u>ECR/ECN INFORMATION</u> | <u>TITLE:</u> | FRICION LOCK HDR. ASSY. .156 BENT SQ PINS W/PEGS RT. ANGLE MOUNT | <u>SHEET No.</u> |
| G2 | EC NO: UCP2008-0727 | | | - 4 - |
| | DATE 10/8/2007 | | | |
| <u>DOCUMENT NUMBER:</u> | SD-42892-001 | <u>CREATED / REVISED BY:</u> | ADERR | <u>CHECKED BY:</u> |
| | | <u>APPROVED BY:</u> | ADERR | FSMITH |

| | | | | | | | | |
|---------|--------------|-------------------|--------------|-----------------|--------------|-----------------|--------------|-----------------|
| OPTIONS | Group | A-42892-0119/0133 | Group | | Group | | Group | |
| | Header No: | 41790-0070/0086 | Header No: | | Header No: | | Header No: | |
| | Pin No: | 2161-62(102) | Pin No: | | Pin No: | | Pin No: | |
| | Plating: | 102 | Plating: | | Plating: | | Plating: | |
| | Pin Length L | 24.89/ .980 | Pin Length L | | Pin Length L | | Pin Length L | |
| | Mating M | 11.43/ .450 | Mating M | | Mating M | | Mating M | |
| | Gold Loc G | N/A | Gold Loc G | | Gold Loc G | | Gold Loc G | |
| | Dim. Y | 2.82/ .111 | Dim. Y | | Dim. Y | | Dim. Y | |
| | PC Tail P | 3.30/ .130 | PC Tail P | | PC Tail P | | PC Tail P | |
| | Tin Loc T | OVERALL | Tin Loc T | | Tin Loc T | | Tin Loc T | |
| | Voided Ckts | 2, 4 | Voided Ckts | | Voided CKts | | Voided Ckts | |
| | Pack Per | PK-42492-002 | Pack Per | | Pack Per | | Pack Per | |
| Ckts | Material No | Engineer Number | Material No | Engineer Number | Material No | Engineer Number | Material No | Engineer Number |
| 2 | | | | | | | | |
| 3 | | | | | | | | |
| 4 | 42892-0119 | A-42892-0119 | | | | | | |
| 5 | 42892-0120 | A-42892-0120 | | | | | | |
| 6 | 42892-0121 | A-42892-0121 | | | | | | |
| 7 | 42892-0122 | A-42892-0122 | | | | | | |
| 8 | 42892-0123 | A-42892-0123 | | | | | | |
| 9 | 42892-0124 | A-42892-0124 | | | | | | |
| 10 | 42892-0125 | A-42892-0125 | | | | | | |
| 11 | 42892-0126 | A-42892-0126 | | | | | | |
| 12 | 42892-0127 | A-42892-0127 | | | | | | |

| | | | | |
|--|------|--|---|--------------------------------------|
| G2 | REV: | <u>ECR/ECN INFORMATION</u> | FRICION LOCK HDR. ASSY. .156 BENT SQ PINS W/PEGS RT. ANGLE MOUNT | <u>SHEET No.</u> - 5 - |
| | | EC NO: UCP2008-0727 | | |
| | | DATE 10/8/2007 | | |
| <u>DOCUMENT NUMBER:</u> SD-42892-001 | | <u>CREATED / REVISED BY:</u> ADERR | <u>CHECKED BY:</u> ADERR | <u>APPROVED BY:</u> FSMITH |